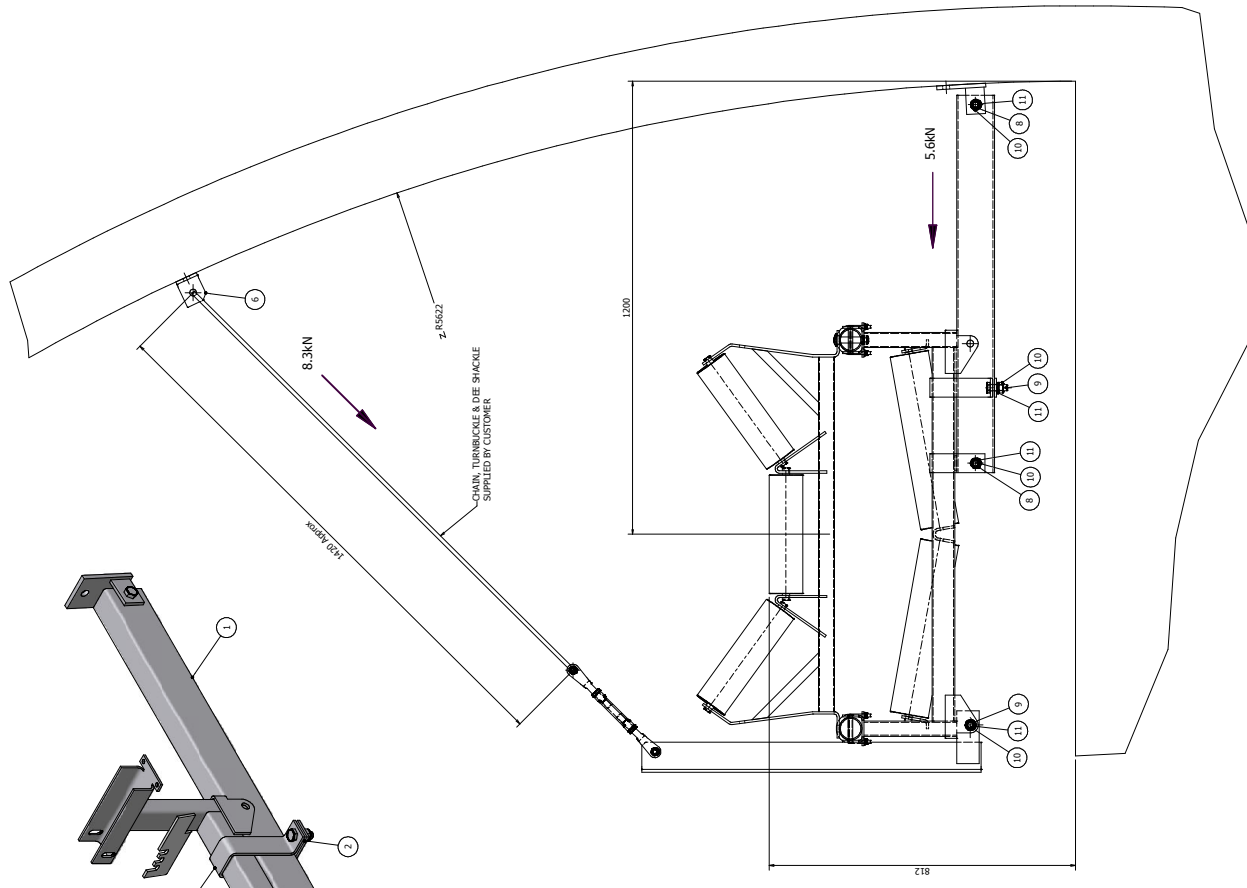
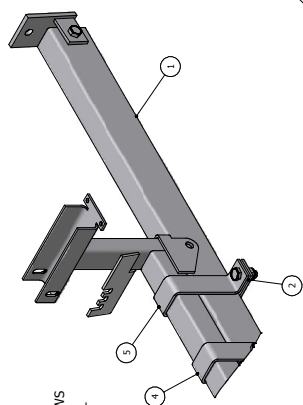
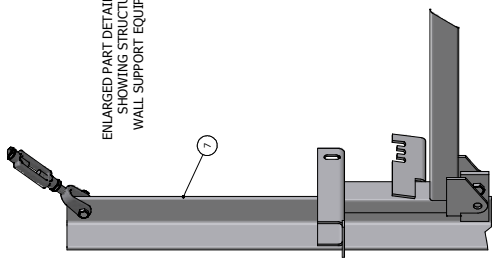


ENLARGED PART DETAIL VIEWS  
SHOWING STRUCTURE  
WALL SUPPORT EQUIPMENT



CHAIN, TURNBUCKLE & DIE SHACKLE  
SUPPLIED BY CUSTOMER

WALL MOUNTING EQUIPMENT FOR 500 BAYS + 1 ADDITIONAL STOOL

REF.	QTY	DESCRIPTION	LENGTH	WEIGHT
19	2	TUNNEL WALL BRACKET	1.330	
11	2053	M16 SPRING WASHER	0.300	
10	2053	M16 NUT	0.300	
9	1027	M16 X 45 LG. SCREW	0.450	
8	1027	M16 X 45 LG. SCREW	0.450	
7	501	TUNNEL MOUNTING OFF-SIDE LEGS	9.330	
6	501	ROOF BRACKET	0.530	
5	501	STOCK STRAP	1.130	
4	501	STOCK STRAP	1.130	
2	501	STRAP PLATE	0.430	
1	501	TUNNEL WALL STRUT	8.530	

DESIGN	DATE	APPROVED	BY
1	20/07/07		

CONTINENTAL CONVERTOR LTD  
 UNIT 10, QUAY INDUSTRIAL PARK,  
 SHERRINGTON, S66 7TD  
 TELEPHONE: 0151 365531 FAX: 0151 365539

LOADS	MEMBERS	ORIGINAL	ISSUE
1	1	1	1

PICCEX STRUCTURE - HINDHEAD TUNNEL WALL  
 FIXING

J194A009