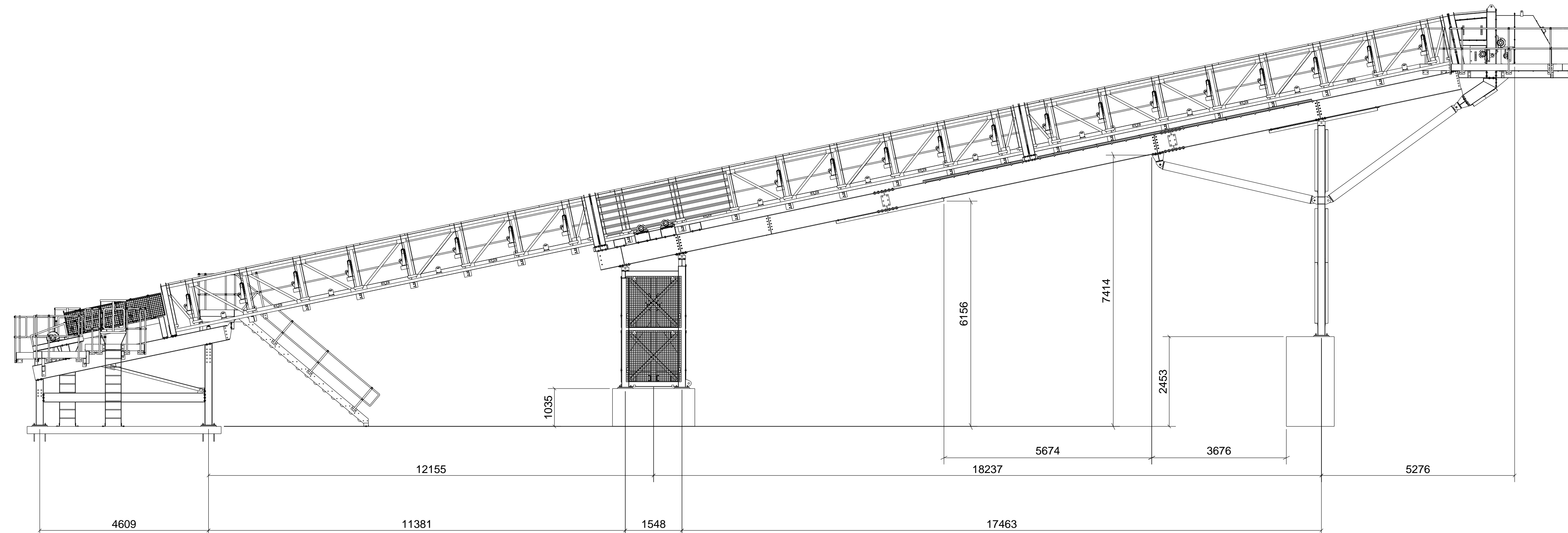
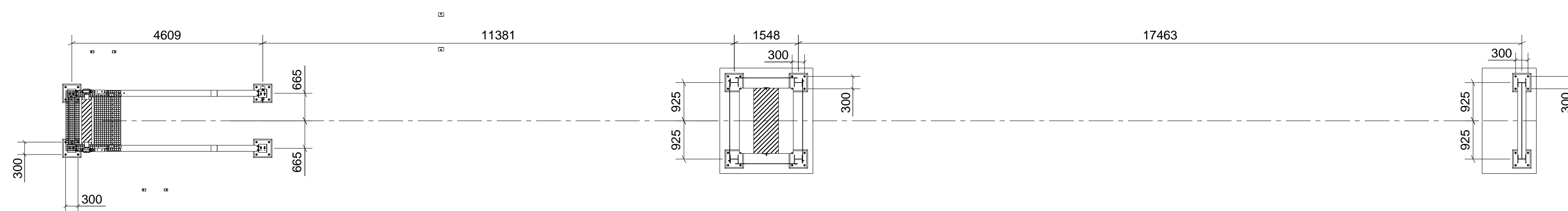



PLAN VIEW



SIDE ELEVATION



VIEW ON BASE PLATES

P1	FOR REVIEW	27.01.2021
REV MARK	REVISION DESCRIPTION	REVISION DATE
BURROWS		
 Cavalier Road, HEATHFIELD INDUSTRIAL ESTATE Newton Abbot, Devon, TQ12 6TQ info@centristic.co.uk tel: (01626) 834310 © This drawing is the copyright of Centristic Ltd		
BS EN 1090-2: Execution Class <b>EXC2</b> U.N.O.		
<b>DRAWING TITLE</b>	OVERAL GA	
<b>CONTRACT</b>	HURST	
<b>MODELLED BY</b>	PC	<b>ISSUE DATE</b> 27.01.2021
<b>CONTRACT NO</b>	C2548	<b>SCALE</b> 1:75
<b>DRAWING NO</b>	G [5]	<b>REVISION No.</b> P1